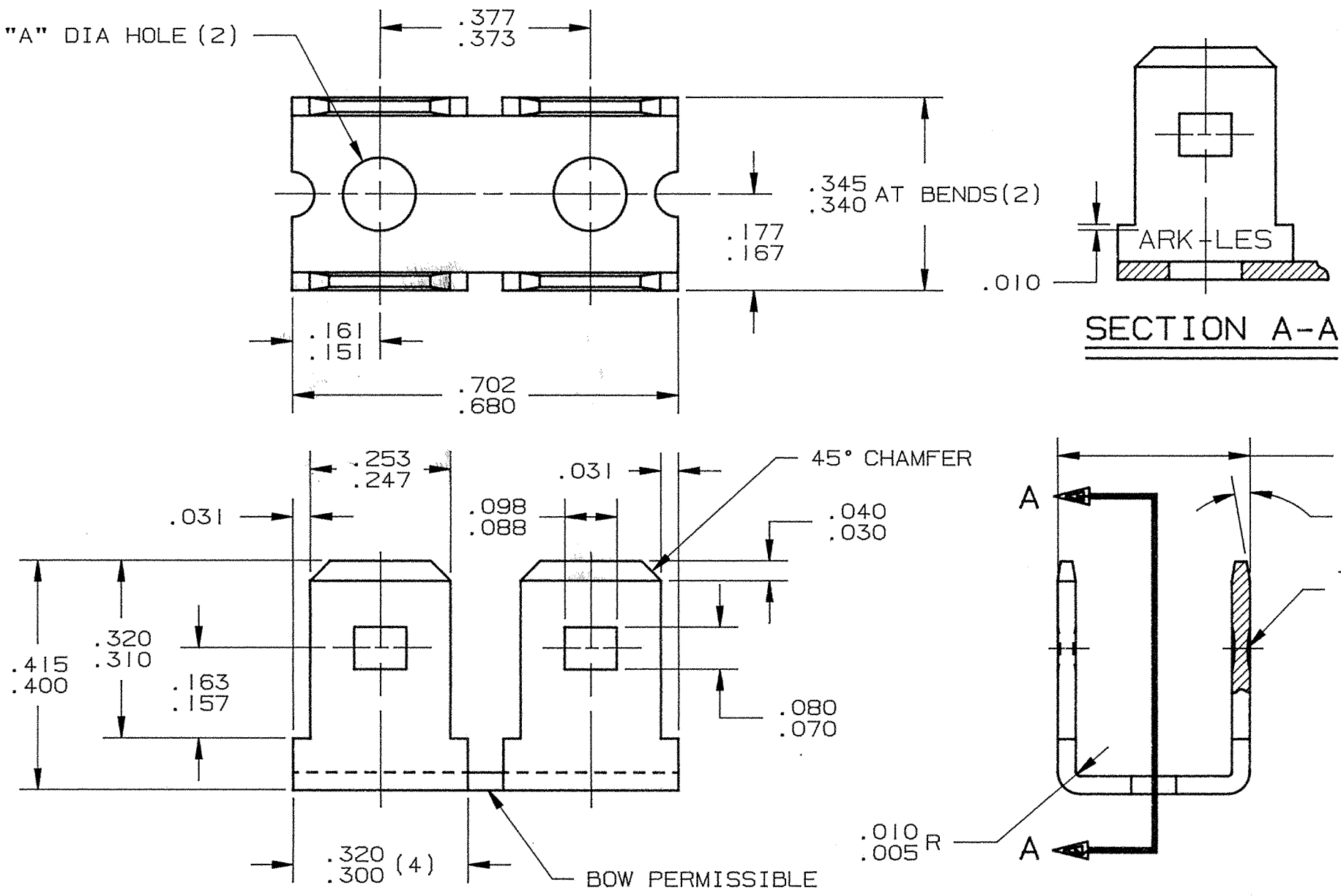


DEPT	1
1	1
2	
3	
4	3
5	
6	
7	
8	
9	
10	
11	8
12	2
NC	2
JZ	3

PART NAME: TERMINAL - MALE 4-WAY

PART NO: 3000C25-3/



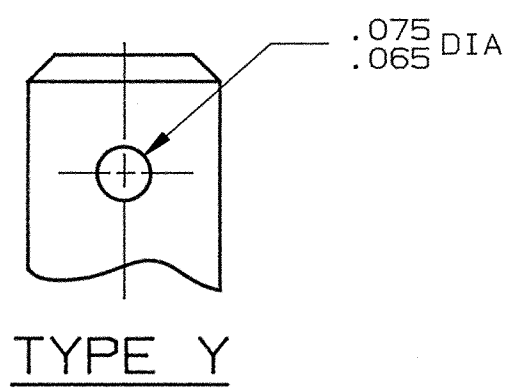
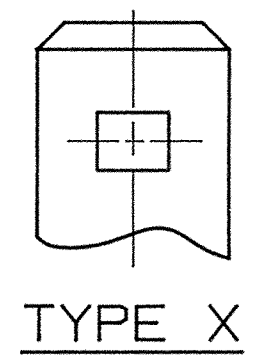
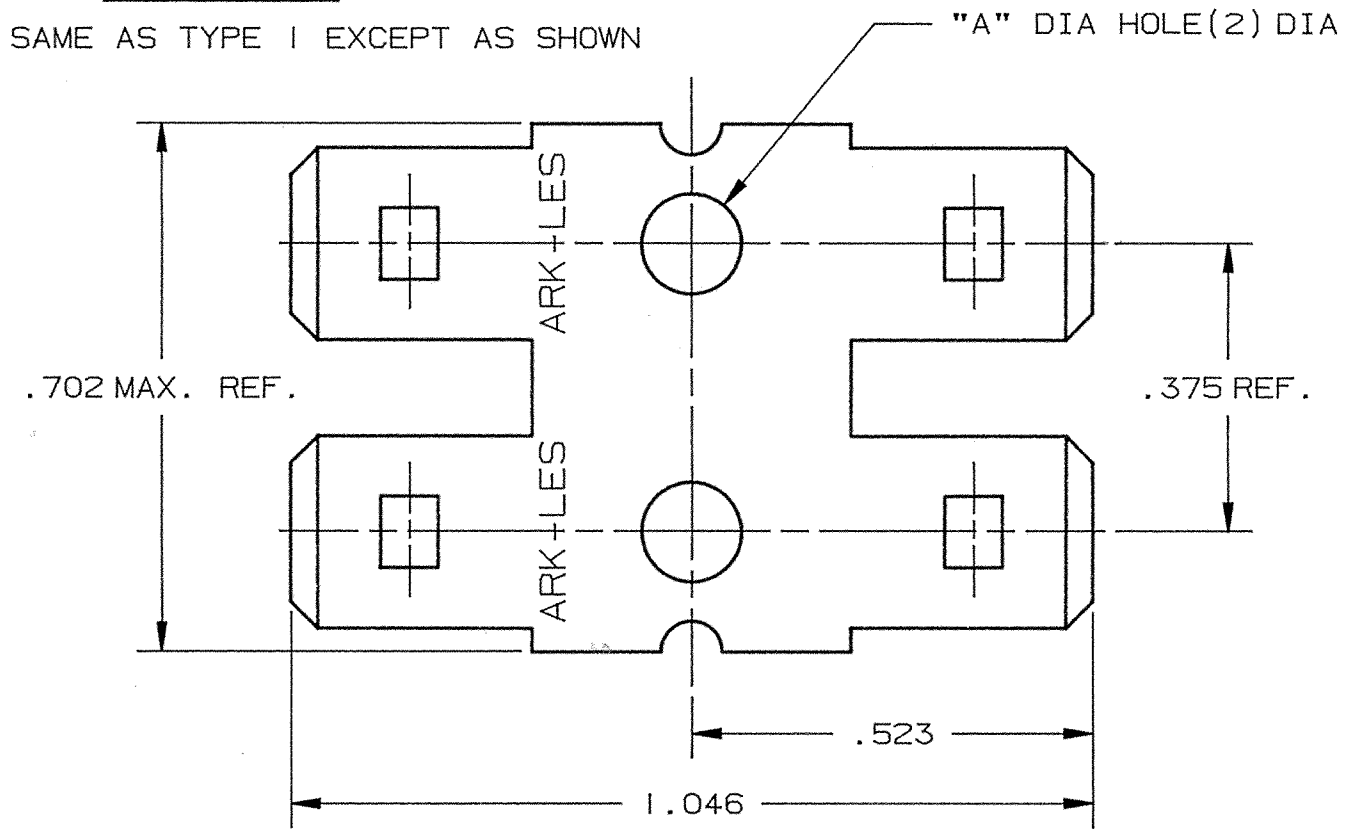
(M)

TYPE 1

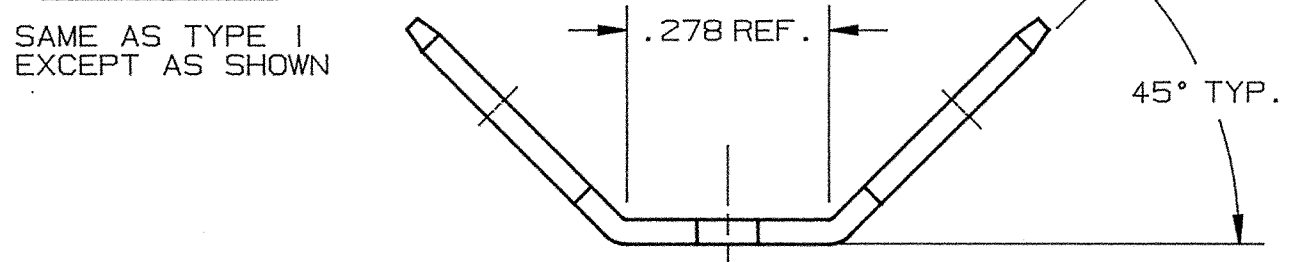
(M)

PART NUMBER	TYPE	"A" DIA HOLE	FINISH	REMARKS
3000C25-3	1	.132/.128	NONE	TYPE "X" MALE TAB
3000C25-3C	1	.132/.128	SILVER PLATE PCS1006	TYPE "X" MALE TAB
3000C25-3G	1	.132/.128	TIN PLATE PCS1002	TYPE "X" MALE TAB
3000C25-3N	2	.132/.128	NONE	TYPE "X" MALE TAB
3000C25-3N1	2	.132/.128	TIN PLATE PCS1002	TYPE "X" MALE TAB
3000C25-3S	1	.176/.166	NONE	TYPE "X" MALE TAB
3000C25-3S1	1	.176/.166	TIN PLATE PCS1002	TYPE "X" MALE TAB
3000C25-3-30	4	.132/.128	NONE	TYPE "X" MALE TAB
3000C25-3-30A	4	.132/.128	TIN PLATE PCS1002	TYPE "X" MALE TAB
3000C25-3-45	3	.132/.128	NONE	TYPE "X" MALE TAB
3000C25-5	1	.132/.128	TIN PLATE PCS1002	TYPE "Y" MALE TAB

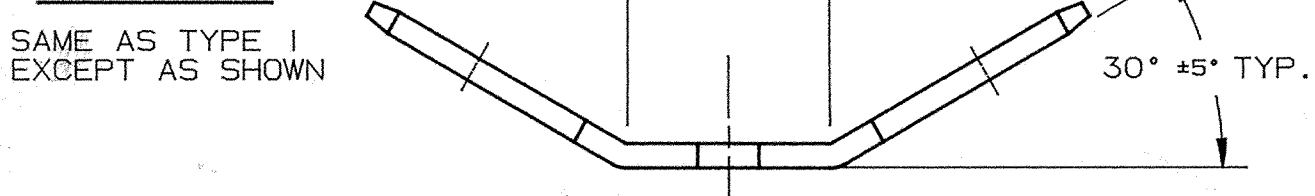
TYPE 2



TYPE 3



TYPE 4



- NOTES:
- ALL PORTIONS OF THE TAB SHOWN SHALL BE FLAT AND FREE FROM BURRS OR RAISED PLATEAUS, EXCEPT THAT THERE MAY BE, IN AN AREA .050 SURROUNDING THE DETENT, A RAISED PLATEAU OVER THE STOCK THICKNESS OF .001 INCH PER SIDE.
 - DETENT SHALL BE LOCATED WITHIN .005 INCH OF THE CENTERLINE OF THE TAB.
 - HOLE SHALL BE LOCATED WITHIN .003 INCH OF THE CENTERLINE OF THE TAB.
 - ARK-LES TO BE DIE STAMPED AS SHOWN.

ARK-LES UNCONTROLLED

PROD. REL.	ECR8900	1/30/92	RT	TOLERANCES UNLESS OTHERWISE SPECIFIED:
QUOTE REL.				DECIMALS ±.010 METRIC ±0.25mm ANGLES ±1°
DR:	M. BUMLA	1-28-92		MATERIAL: .032 ±.001 BRASS C26000, 1/2 HARD R30T 56.5-68.0
CHK'D:	R.W.T.	11-21-97		FINISH: SEE TABLE
M	3000C25-300 DELETED PER ECR #11396	1/13/97	RT	APP: <i>COB</i> 11-24-97
L	REVISED & REDRAWN PER ECR #8900	1-28-92	M.B.	SUPERCEDES DWG. DATED: 2-6-87
REV.	DESCRIPTION	DATE	DR.	SCALE: 4X CAD NO: CTM0002 PART NO: 3000C25-3/

ORIGINAL