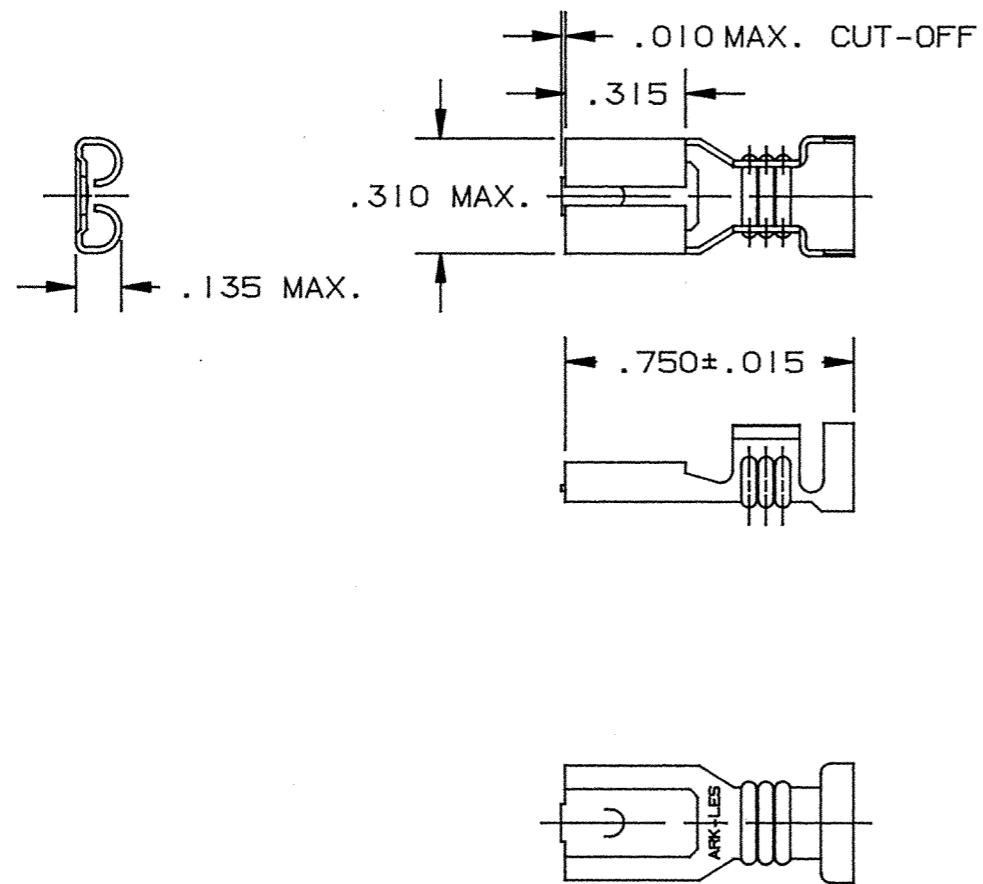


DEPT	
1	I
2	
3	
4	I
5	
6	
7	
8	
9	
10	
11	
12	
NC	
JZ	

PART NAME: TERMINAL, FEMALE

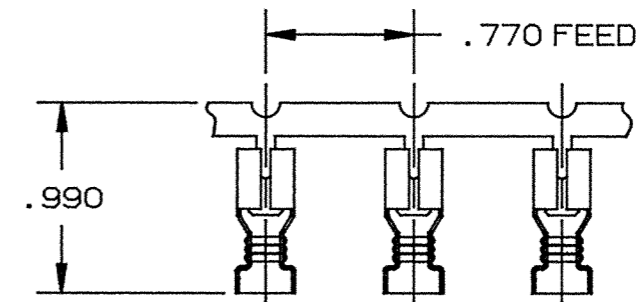
PART NO: 3000H113A/AB

PART NUMBER	MATERIAL	FINISH	Q.C. STAMP
3000H113A	.016 ±.0005 THK. BRASS PRETINNED	SEE MAT'L	NO
3000H113AB	.016 ±.0005 THK. BRASS	NONE	NO



NOTES:

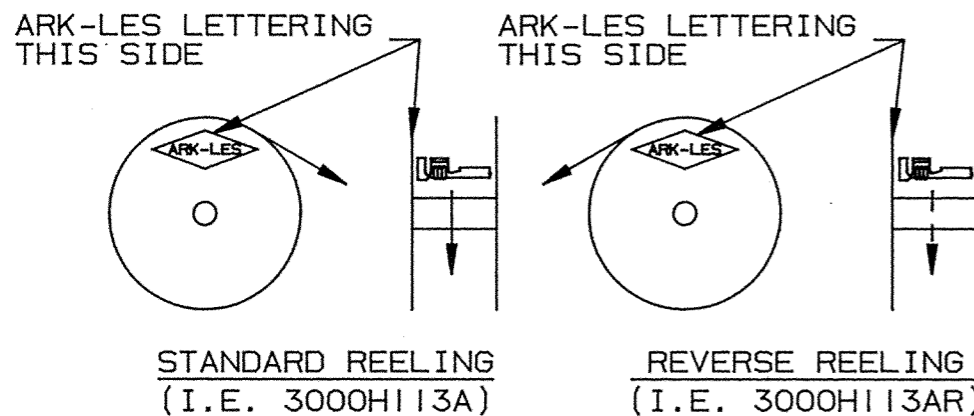
1. TERMINAL WILL ACCEPT STANDARD .250 X .032 MALE TAB.
2. TO ACCOMMODATE #12-#16 GAUGE WIRE OR (2)#14 AWG. INSULATION RANGE: .100-.175.
3. RECOMMENDED STRIP LENGTH: 9/32 ± 1/32.
4. FOR LOOSE PIECE PARTS ADD -1 TO PART NUMBER.
5. FOR REVERSE REELING ADD SUFFIX "R" TO PART NUMBER AS SHOWN.
6. FOR PARTS LESS DIMPLE ADD -3 TO PART NUMBER. I.E. 3000H113A-3.



FABRICATED TERMINAL STRIP

SCALE: FULL

ARK-LES
UNCONTROLLED



REELING DIAGRAMS

			PROD. REL.	SK0876	4-13-82	R.T.	TOLERANCES UNLESS OTHERWISE SPECIFIED:
			QUOTE REL.				DECIMALS ±.010 METRIC ±0.25mm ANGLES ±1°
			DR:	M. BUMILA	4-6-92		MATERIAL: SEE TABLE
			CHK'D:	R.W.T.	4-10-92		FINISH: SEE TABLE
			APP:	Bishop	5-15-92		PART NO: 3000H113A/AB
B	REDRAWN WITHOUT CHANGE PER ECR #9038	4-6-92	M.B.	SUPERCEDES DWG. DATED:	3-15-82		
REV.	DESCRIPTION	DATE	DR.	SCALE: 2X	CAD NO: BT00016		

ORIGINAL IF RED