

ARK-LES CORPORATION

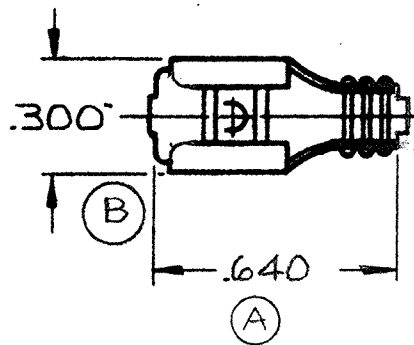
WATERTOWN, MASS.

CUSTOMER DRAWING

DEPT	1
1	1
2	
3	
4	1
5	
6	
7	
8	
9	
10	
11	
12	
ME	
42	

PART NAME: TERMINAL-FEMALE

PART NO. 3000H129/-5-2



PART NO.	MAT'L	FINISH	QC STAMP
3000H129AC-5-2	.016 THK. BRASS	COMM. SILVER PLATE	YES

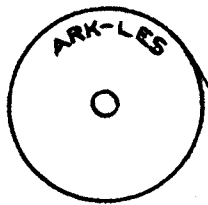
NOTES:

- (A) 1. TO FIT STANDARD .250 X .032 MALE TAB.
- (A) 2. RECOMMENDED STRIP LENGTH: $7/32 \pm 1/32$
- 3. TERMINAL TO ACCOMMODATE 14-18 GAUGE WIRE.



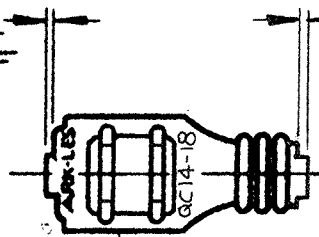
(A)

ARK-LES THIS SIDE



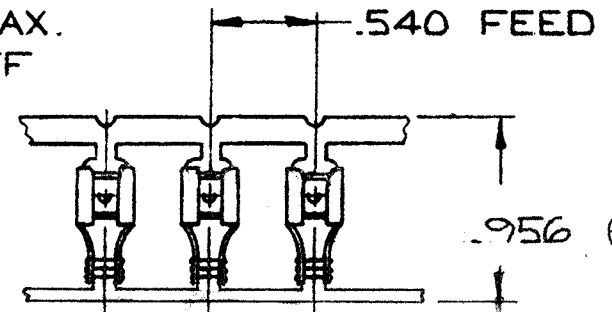
WINDING DIAGRAM

.010 MAX. CUT OFF



ARK-LES UNCONTROLLED

.010 MAX. CUT OFF



FABRICATED TERMINAL STRIP

SCALE: FULL

				PROD. REL. 8-1-78	ECR1668	RT	TOLERANCES UNLESS OTHERWISE SPECIFIED:
				QUOTE REL.			DECIMALS ± .010 METRIC ± 0.25 mm ANGLES ± 1°
				DR.: C. O'Reilly	OCT-31-85		MATERIAL: SEE TABLE
C	3000H129J-5-2 OBSOLETE; ECR5858	8-13-86	AP	CHK'D.: R.W.T.	11-7-85		FINISH: SEE TABLE
B	ECR 5579	12-31-85	PJP	APP.: R.W.T.	11-7-85		PART NO. 3000H129/-5-2
A	REV. & REDRAWN; ECR 5499C	7/31/85	SR	SUPERSEDES DWG. DATED: 7-6-78			
REV.	DESCRIPTION	DATE	DR	SCALE: RW	F.M.F.		