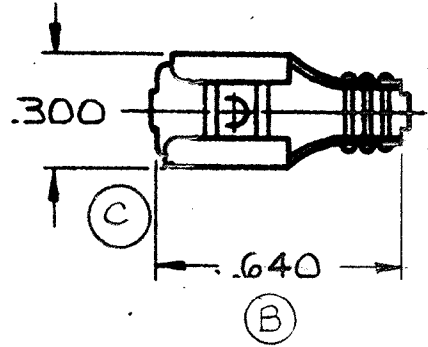


DEPT	
1	1
2	
3	
4	1
5	
6	
7	
8	
9	
10	
11	
12	
ME	
42	1

PART NAME: TERMINAL-FEMALE

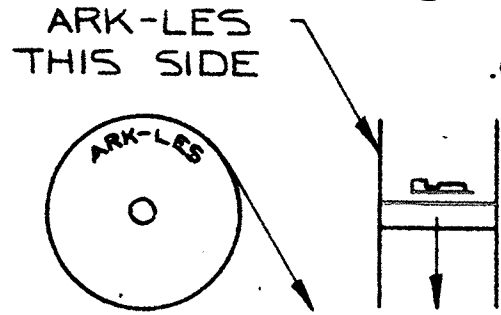
PART NO. 3000H129AC-6-2

PART NO.	MAT'L	FINISH	QC STAMP
3000H129AC-6-2	.016 THK. BRASS	COMM. SILVER PLATE	YES



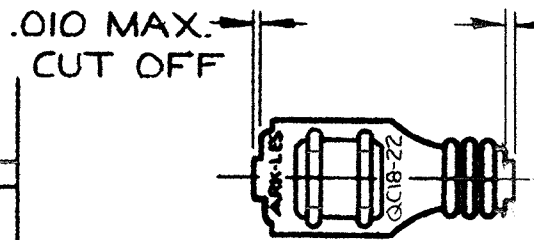
NOTES:

- (B) 1. TO FIT STANDARD .250 X .032 MALE TAB.
- (B) 2. RECOMMENDED STRIP LENGTH: $7/32 \pm 1/32$
- 3. TERMINAL TO ACCOMMODATE 18-24 GAUGE WIRE. (ON 3000H129AC-6-2 U.L. RECOGNIZED 18-22 GAUGE WIRE.)

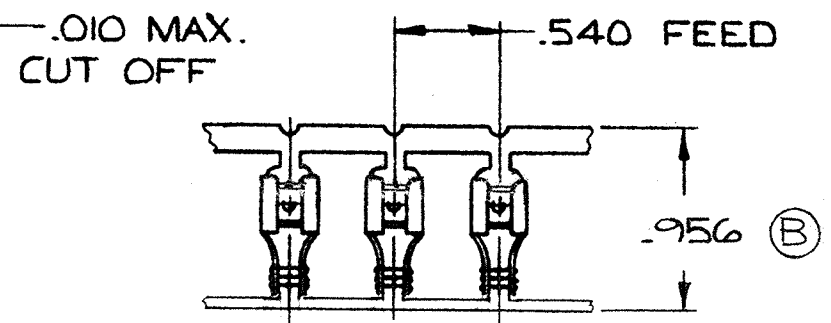


WINDING DIAGRAM

(B)



ARK-LES UNCONTROLLED



FABRICATED TERMINAL STRIP

SCALE: FULL

				PROD. REL.	8-1-78	ECR1668	RT.	TOLERANCES UNLESS OTHERWISE SPECIFIED :		
				QUOTE REL.				DECIMALS ± .010	METRIC ± 0.25 mm	ANGLES ± 1°
				DR.:	C. O'Reilly OCT-31-85			MATERIAL: SEE TABLE		
				CHK'D.:	R.W.T. 11-7-85			FINISH: SEE TABLE		
C	ECR 5579	12-31-85	PJP	APP.:	R.W.T. 11-7-85			PART NO. 3000H129AC-6-2		
B	REV. & REDRAWN; ECR 5499C	10/30/85	CR	SUPERSEDES DWG. DATED:	7-6-78					
REV.	DESCRIPTION	DATE	DR	SCALE:	F.M.F.					

ORIGINAL IF RED