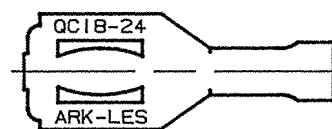
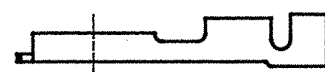
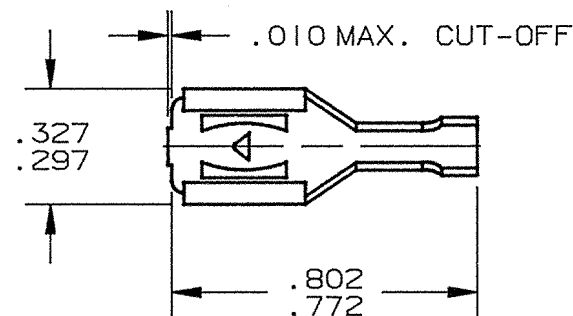


DEPT	
1	1
2	
3	
4	3
5	
6	
7	
8	
9	
10	
11	
12	
NC	
JZ	

PART NAME: FEMALE TERMINAL

PART NO: 3000H19/-6

PART NUMBER	MATERIAL	FINISH	Q.C. STAMP
3000H19A-6	.020 ±.001 THK. BRASS PRETINNED	SEE MAT'L	YES
3000H19AB-6	.020 ±.001 THK. BRASS	NONE	YES



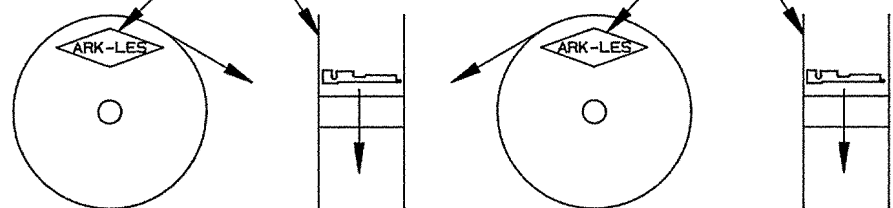
NOTES:

- TO FIT STANDARD .250 X .032 MALE TAB.
- TO ACCEPT #18-#22 GAUGE WIRE.  
INSULATION RANGE: .040-.090 DIA.
- RECOMMENDED STRIP LENGTH: 7/32 ±1/32
- FOR PARTS LESS DIMPLE ADD SUFFIX "-3" TO PART NUMBER. (I.E. 3000H19A-6-3)
- FOR REVERSE REELING ADD SUFFIX "R" TO PART NUMBER AS SHOWN.
- FOR TERMINALS LOOSE PIECE ADD SUFFIX "-1" TO PART NUMBER. (I.E. 3000H19A-6-1)
- INSERTION/WITHDRAWAL FORCES TO BE AS FOLLOWS WHEN USING MALE TEST TAB 3000M68H-1.
  - 1ST INSERTION: 12.0 LBS MAX.  
6.0 LBS MIN.
  - 1ST WITHDRAWAL: 17.0 LBS MAX.  
6.0 LBS MIN. AVERAGE
  - 6TH WITHDRAWAL: 5.0 LBS MIN. AVERAGE  
4.0 LBS MIN. INDIVIDUAL

(L)

ARK-LES LETTERING THIS SIDE

ARK-LES LETTERING THIS SIDE

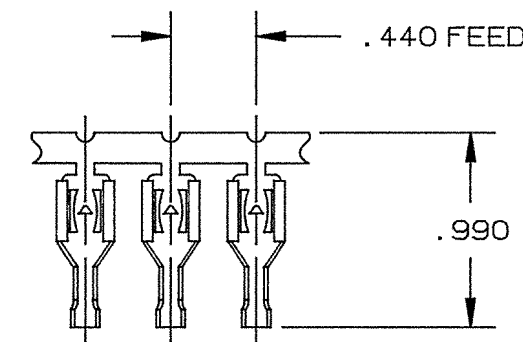


STANDARD REELING  
(I.E. 3000H19A-6)

REVERSE REELING  
(I.E. 3000H19A-6R)

REELING DIAGRAMS

**ARK-LES**  
**UNCONTROLLED**



FABRICATED TERMINAL STRIP

SCALE: FULL

			PROD. REL.	PER DW	6/21/71	JB	TOLERANCES UNLESS OTHERWISE SPECIFIED:		
			QUOTE REL.	PER DG	6/8/71	JB	DECIMALS ±.010	METRIC ±0.25mm	ANGLES ±1°
			DR:	R. TASTULA 4/5/95			MATERIAL: SEE TABLE		
			CHK'D:	R.W.T. 5-27-97			FINISH: SEE TABLE		
M	REVISED PER ECR #11289	5/23/97	RT	APP:	COR 6-3-97			PART NO: 3000H19/-6	
L	REVISED & REDRAWN PER ECR #10434	4/5/95	RT	SUPERCEDES DWG. DATED: 6/5/92					
REV.	DESCRIPTION	DATE	DR.	SCALE: 2:1	CAD NO: BT00034				

ORIGINAL