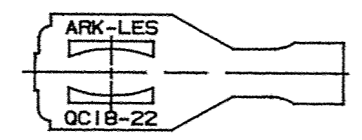
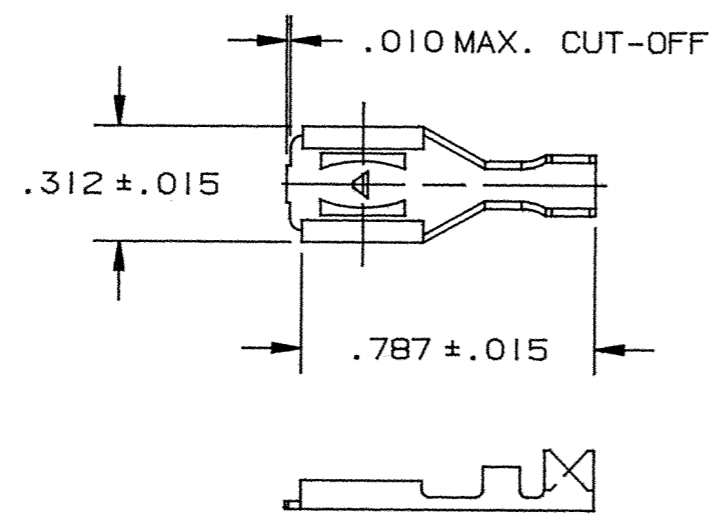


DEPT	I
1	
2	
3	
4	I
5	
6	
7	
8	
9	
10	
11	
12	
NC	
JZ	

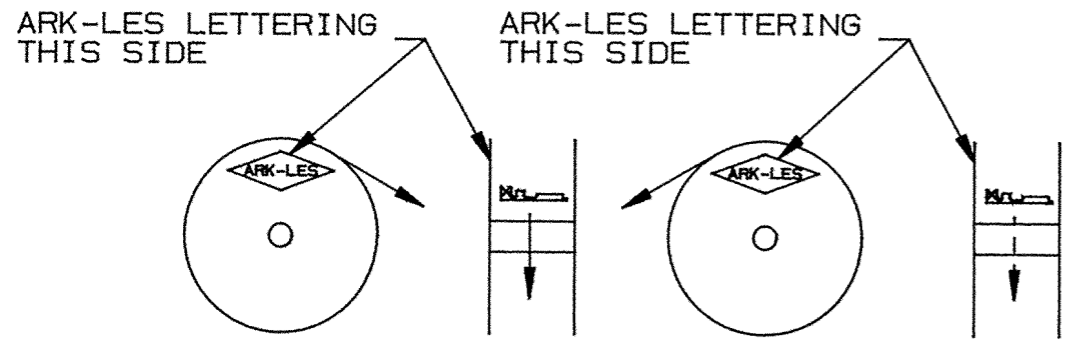
PART NAME: TERMINAL, FEMALE

PART NO: 3000H20/

PART NUMBER	MATERIAL	FINISH	Q.C. STAMP
3000H20A	.020 ±.001 THK. BRASS	PRETINNED	YES
3000H20AB	.020 ±.001 THK. BRASS	NONE	YES
3000H20AC	.020 ±.001 THK. BRASS	SILVER PLATE	YES



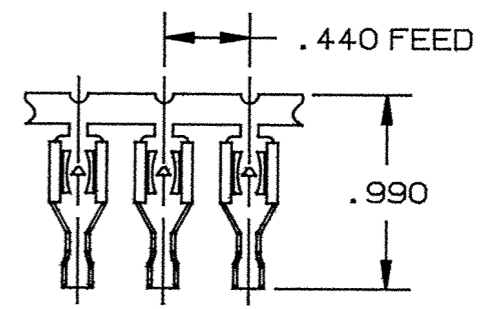
- NOTES:
1. TO FIT STANDARD .250 X .032 MALE TAB.
 2. TO ACCEPT #18-#24 GAUGE WIRE.
INSULATION RANGE: .040-.090 DIA.
 3. RECOMMENDED STRIP LENGTH: 1/8 ±1/32
 4. FOR REVERSE REELING ADD SUFFIX "R" TO PART NUMBER AS SHOWN.
 5. FOR TERMINALS LOOSE PIECE ADD SUFFIX "-1" TO PART NUMBER. (I.E. 3000H20A-1)



STANDARD REELING (I.E. 3000H20A) REVERSE REELING (I.E. 3000H20AR)

REELING DIAGRAMS

ARK-LES
UNCONTROLLED



FABRICATED TERMINAL STRIP

SCALE: FULL

PROD. REL.	40735	3-22-60	BA	TOLERANCES UNLESS OTHERWISE SPECIFIED:		
QUOTE REL.	40735	3-22-60	BA	DECIMALS ±.010	METRIC ±0.25mm	ANGLES ±1°
DR:	M. BUMILA 10-28-92			MATERIAL: SEE TABLE		
CHK'D:	R.W.T. 10-30-92			FINISH: SEE TABLE		
APP:	B.S.H.P. 11-3-92			PART NO: 3000H20/		
G	REVISED & REDRAWN PER ECR #9320	10-28-92	M.B.	SUPERCEDES DWG. DATED: 4-5-77		
REV.	DESCRIPTION	DATE	DR.	SCALE: 2X	CAD NO: BT00042	