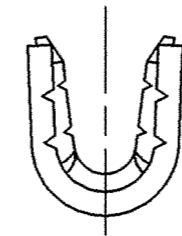
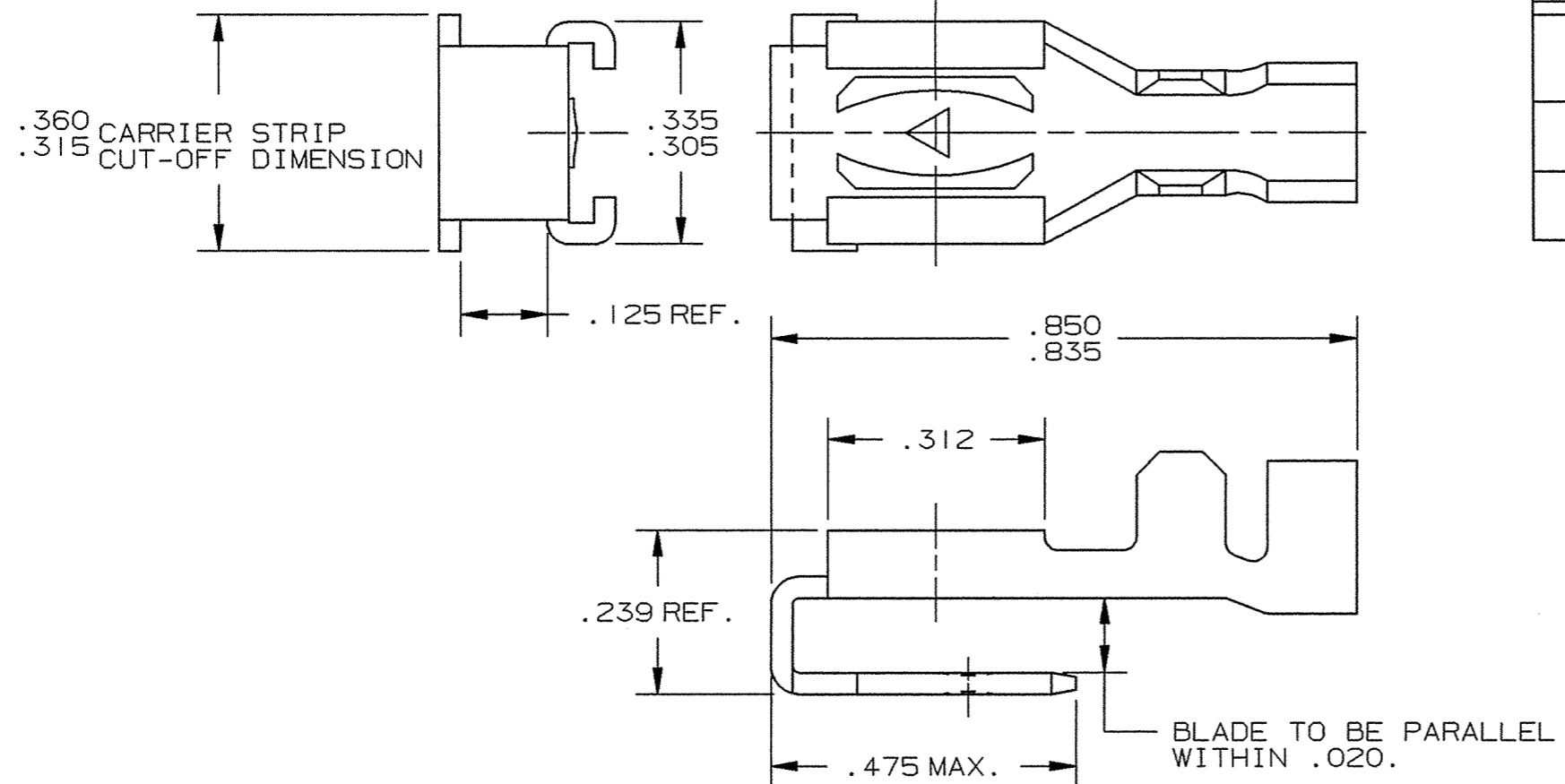


DEPT	
1	1
2	
3	
4	2
5	
6	
7	
8	
9	
10	
11	
12	
NC	
JZ	

PART NAME: FEMALE & MALE TERMINAL

PART NO: 3000H 21A/-6

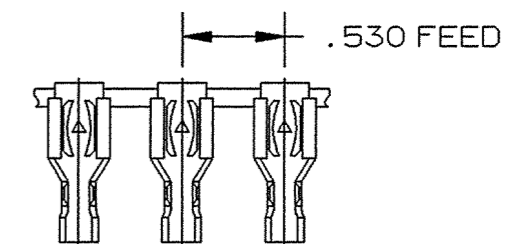
PART NUMBER	MATERIAL	FINISH	Q.C. STAMP
3000H 21A-6	.032 ±.001 THICK BRASS	PRETINNED	YES
3000H 21AB-6	.032 ±.001 THICK BRASS	NONE	YES
3000H 21AD-6	.032 ±.001 THICK BRASS	POST TIN PLATE	YES



- NOTES:
- TO ACCEPT A .250 X .032 MALE TAB.
 - TO ACCOMMODATE #12-#20 GAUGE WIRE.
 - INSULATION DIAMETER RANGE: .075-.125.
 - RECOMMENDED STRIP LENGTH: 3/16 ± 1/32.
 - FOR PARTS LESS DIMPLE ADD SUFFIX "-3" TO PART NUMBER. (i.e. 3000H 21A-6-3)
 - FOR REVERSE REELING ADD SUFFIX "R" TO PART NUMBER AS SHOWN.
 - FOR LOOSE PIECE PARTS ADD SUFFIX "-1" TO PART NUMBER (i.e. 3000H 21A-6-1).
 - INSERTION/WITHDRAWAL FORCES TO BE AS FOLLOWS WHEN USING MALE TEST TAB 3000M 68H-1:

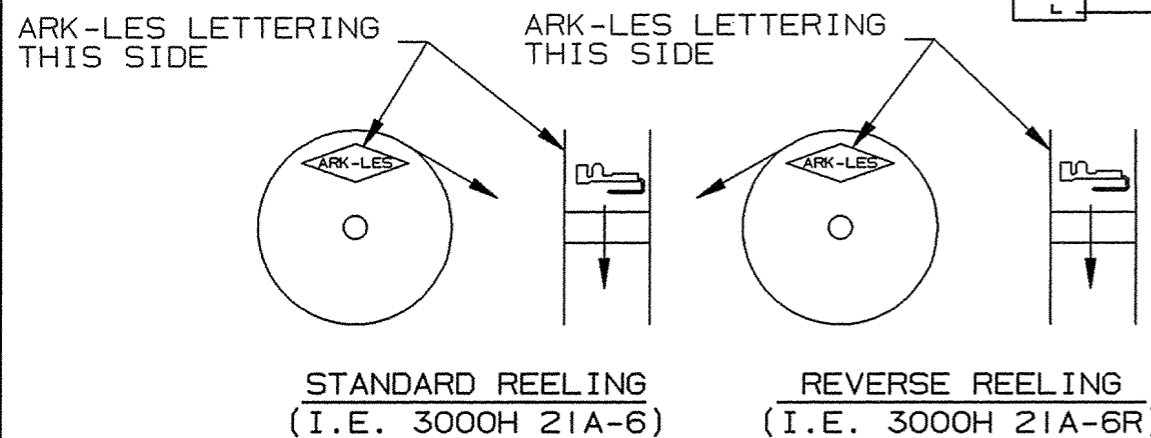
1ST INSERTION:	15.0 LBS MAX.	(GU)
	6.0 LBS MIN.	
1ST WITHDRAWAL:	17.0 LBS MAX.	
	6.0 LBS MIN.	AVERAGE
	4.0 LBS MIN.	INDIVIDUAL
6TH WITHDRAWAL:	5.0 LBS MIN.	AVERAGE
	4.0 LBS MIN.	INDIVIDUAL

ARK-LES
UNCONTROLLED



FABRICATED TERMINAL STRIP

SCALE: FULL



REELING DIAGRAMS

			PROD. REL.	59854	9/2/69	RH	TOLERANCES UNLESS OTHERWISE SPECIFIED:		
			QUOTE REL.	31892	3/19/69	RT	DECIMALS ±.010	METRIC ±0.25mm	ANGLES ±1°
			DR:	R. TASTULA	9/28/00		MATERIAL: SEE TABLE		
			CHK'D:	R.W.T.	6-5-02		FINISH: SEE TABLE		
			APP:	RJB	6-10-02		PART NO: 3000H 21A/-6		
GT	REV. GT WAS AF PER ECR #12077	4/5/95	RT	SUPERCEDES DWG. DATED: 4/5/95					
REV.	DESCRIPTION	DATE	DR.	SCALE: 4:1	CAD NO: BT00049				

ORIGINAL IF RED