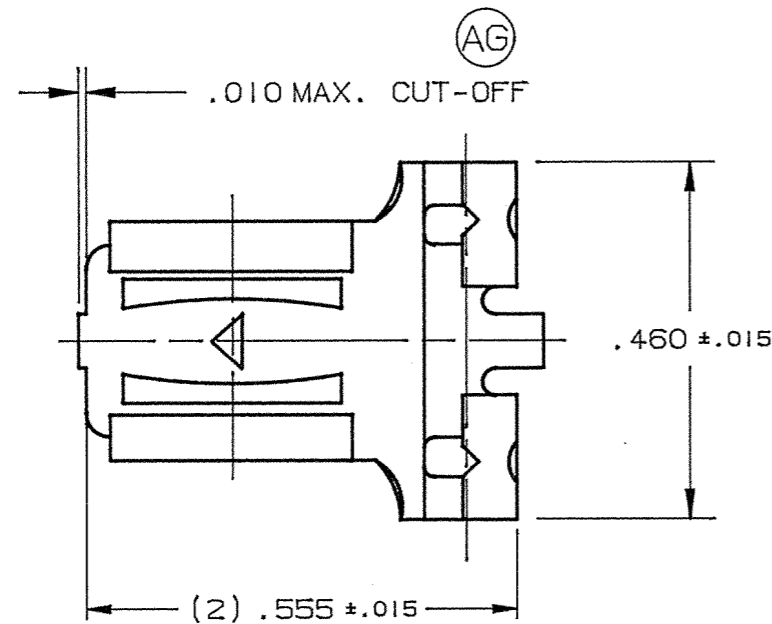


DEPT	
1	1
2	
3	
4	2
5	
6	
7	
8	
9	
10	
11	
12	
NC	
JZ	

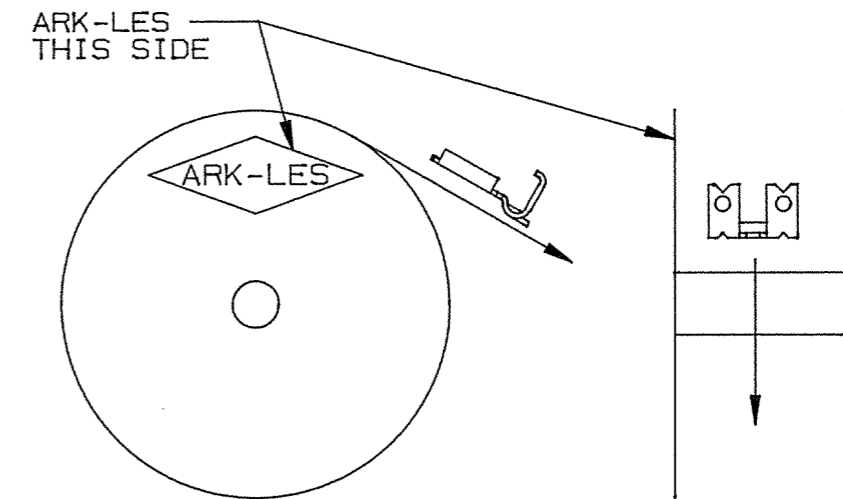
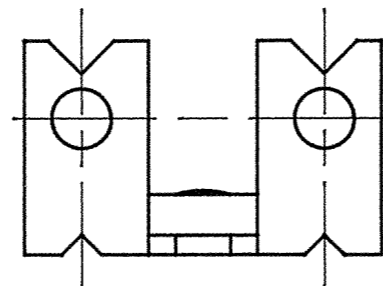
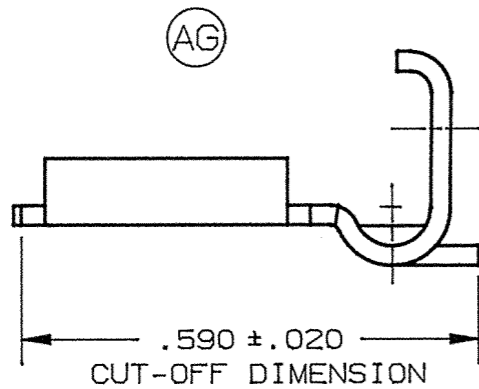
PART NAME: TERMINAL, FEMALE

PART NO: 3000H4/

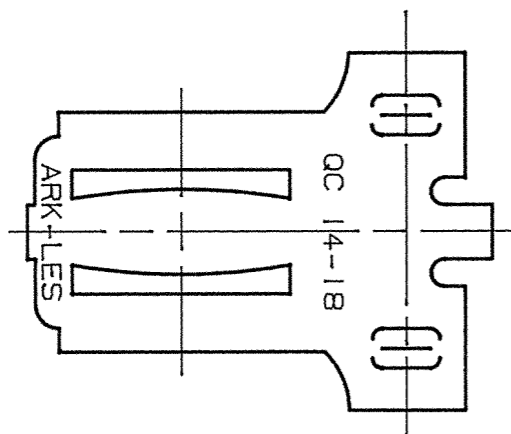
PART NUMBER	MATERIAL	FINISH
3000H4	.025 ±.001 THICK BRASS PRETINNED	SEE MAT'L
3000H4B	.025 ±.001 THICK BRASS	NONE
3000H4H		SILVER PLATE



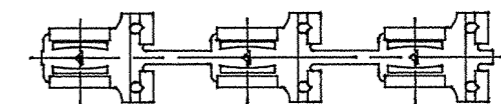
**ARK-LES**  
**UNCONTROLLED**



STANDARD REELING DIAGRAM



- AG NOTES:
1. TO ACCEPT .250 X .032 MALE TAB.
  2. TO ACCOMMODATE #14-#18 GAUGE WIRE.
  3. RECOMMENDED STRIP LENGTH: 1/2 ±1/32.
  4. FOR PARTS LOOSE PIECE PARTS ADD SUFFIX "-1" TO PART NUMBER. (I.E.3000H4-1)
  5. FIRST INSERTION FORCE IS TO BE 12.0 POUNDS MAXIMUM WHEN USING ARK-LES MALE TEST TAB 3000M68H-1. ALL OTHER FORCES TO COMPLY WITH UL 310.



FABRICATED TERMINAL STRIP

SCALE: FULL

				PROD. REL.	10/15/54	BA	TOLERANCES UNLESS OTHERWISE SPECIFIED:
				QUOTE REL.			DECIMALS ±.010 METRIC ±0.25mm ANGLES ±1°
				DR: M BUMILA	1/27/92		MATERIAL: SEE TABLE
				CHK'D: R.W.T.	5-14-99		FINISH: SEE TABLE
AG	REVISED PER ECR #11769	5/13/99	RT	APP: COR	5-17-99		PART NO: 3000H4/
AF	WAS REV P; PER ECR #10339	11/9/94	BJC	SUPERCEDES DWG. DATED:	1/3/75		
REV.	DESCRIPTION	DATE	DR.	SCALE: 4:1	CAD NO: BT00009		

ORIGINAL IF RED