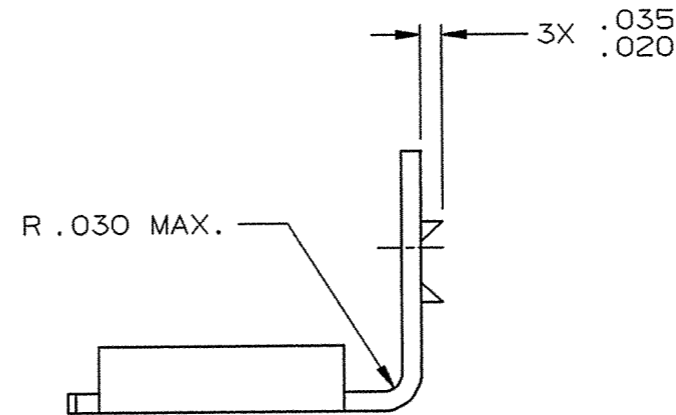
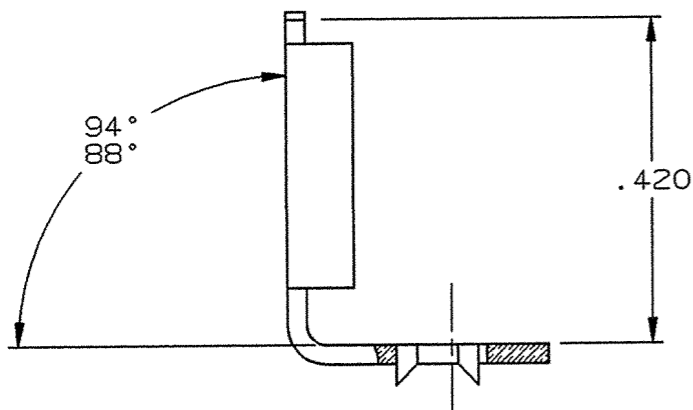
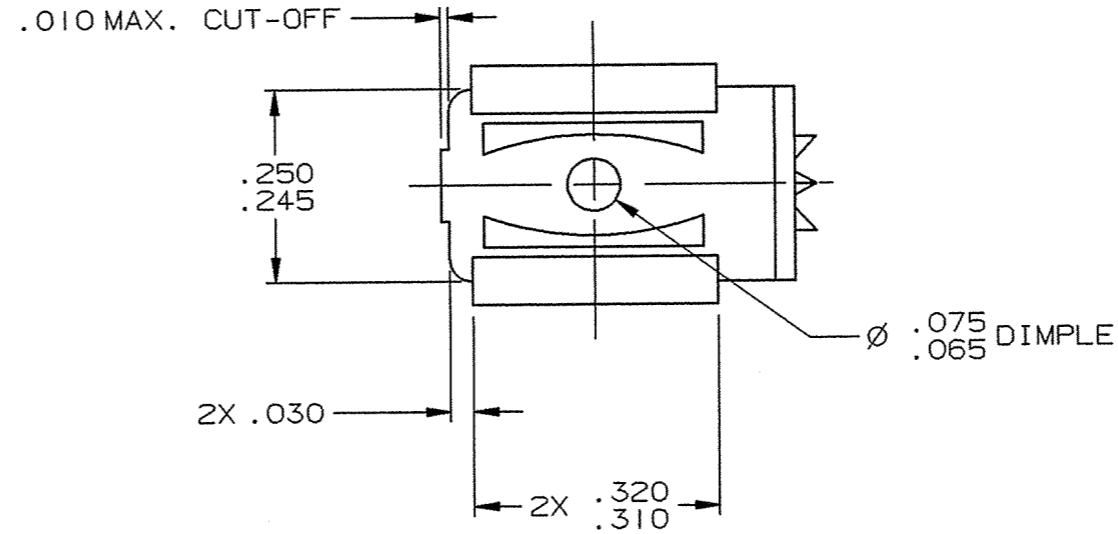
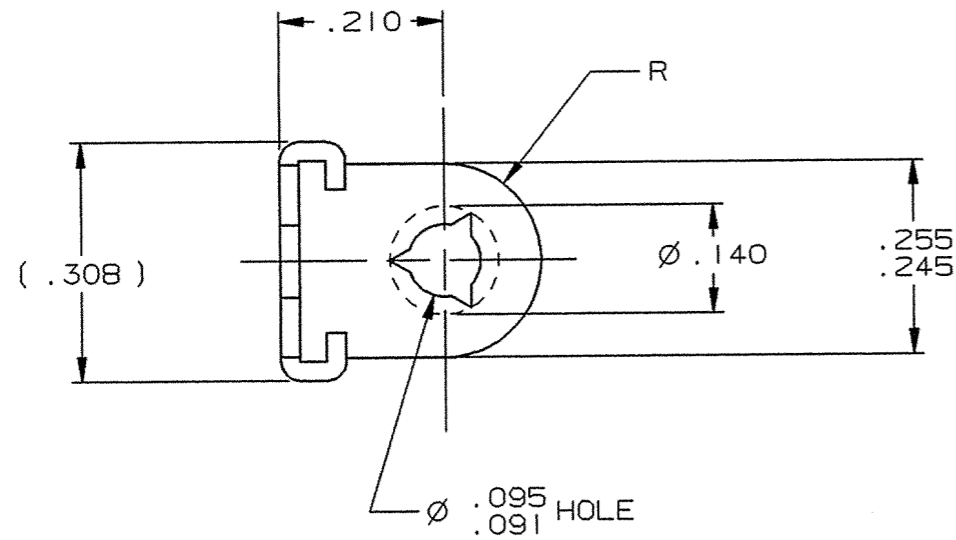


DEPT	
1	1
2	
3	
4	2
5	
6	
7	
8	
9	
10	
11	
12	
NC	
JZ	

PART NAME: FEMALE TERMINAL

PART NO: 3000H 43A

NOTES:
1. TO ACCEPT STANDARD .250 X .032 MALE TAB.



ARK-LES
UNCONTROLLED

			PROD. REL.	32617	12/8/58	BA	TOLERANCES UNLESS OTHERWISE SPECIFIED:
			QUOTE REL.	32617	12/8/58	BA	DECIMALS $\pm .010$ METRIC $\pm 0.25mm$ ANGLES $\pm 1^\circ$
			DR:	R. TASTULA	5/31/02		MATERIAL: .025 THICK BRASS
			CHK'D:	R.W.T.	6-4-02		FINISH:
			APP:	JJS	6-10-02		PART NO: 3000H 43A
F	REVISED & REDRAWN PER ECR #12297	5/31/02	RT	SUPERCEDES DWG. DATED:	7/30/76		
REV.	DESCRIPTION	DATE	DR.	SCALE: 4:1	CAD NO: BT00116		

ORIGINAL IF RED

(F)