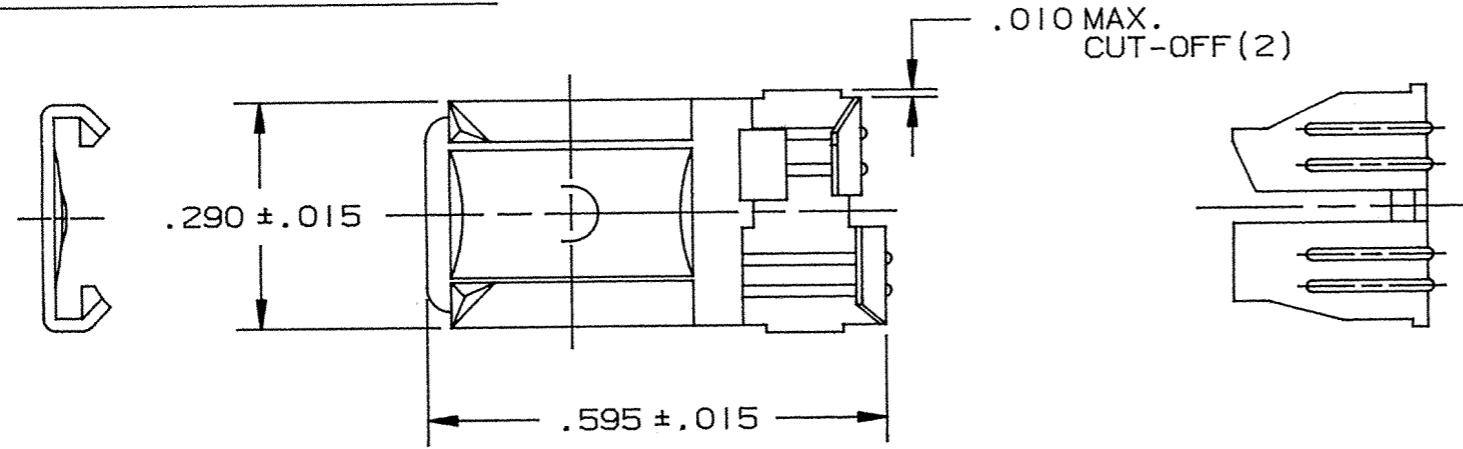


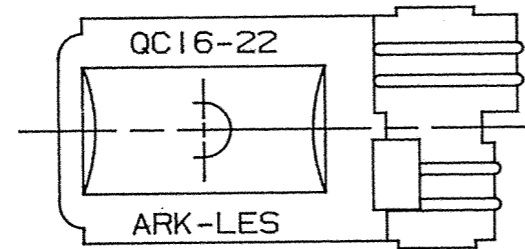
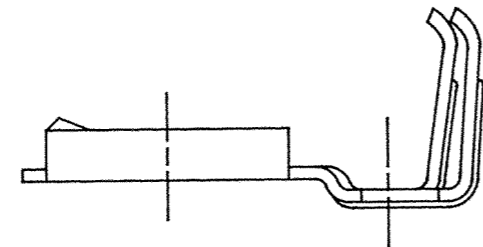
DEPT	
1	I
2	
3	
4	I
5	
6	
7	
8	
9	
10	
11	
12	
NC	
JZ	

PART NAME: TERMINAL, FEMALE

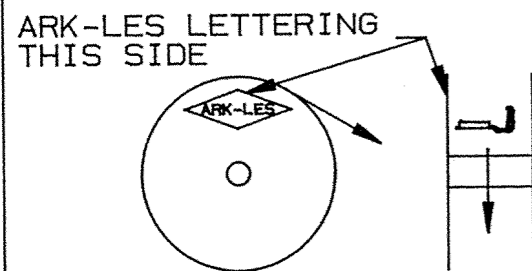
PART NO: 3000H4L/



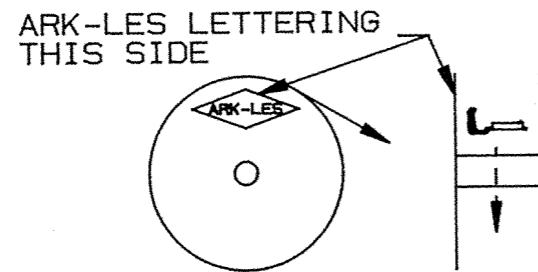
PART NUMBER	MATERIAL	FINISH
3000H4L	.016 ±.0005 TH'K BRASS	PRETINNED
3000H4LB	.016 ±.0005 TH'K BRASS	NONE



- NOTES:
1. TO ACCEPT .250 X .032 MALE TAB.
 2. TO ACCOMMODATE #16-#22 GAUGE WIRE.
 3. RECOMMENDED STRIP LENGTH: 3/16 ± 1/32.
 4. INSULATION RANGE: .070-.135 DIA.
 5. FOR TERMINALS LOOSE PIECE ADD SUFFIX "-1" TO PART NUMBER (I.E. 3000H4L-1).
 6. FOR REVERSE REELING ADD SUFFIX "R" TO PART NUMBER (I.E. 3000H4LR).

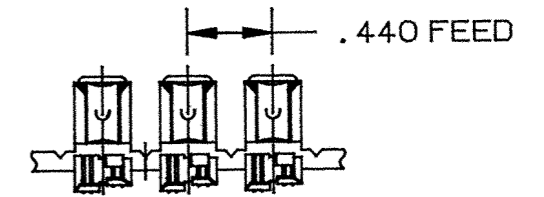


STANDARD REELING
(I.E. 3000H4L)



REVERSE REELING
(I.E. 3000H4LR)

REELING DIAGRAMS



ARK-LES
UNCONTROLLED

FABRICATED TERMINAL STRIP
SCALE: FULL

			PROD. REL.	73502	1-23-63	B.A.	TOLERANCES UNLESS OTHERWISE SPECIFIED:		
			QUOTE REL.	73502	1-23-63	B.A.	DECIMALS ±.010	METRIC ±0.25mm	ANGLES ±1°
			DR:	M. BUMILA	1-12-93		MATERIAL: SEE TABLE		
			CHK'D:	R.W.T.	1-15-93		FINISH: SEE TABLE		
			APP:	Bishop	1-19-93		PART NO: 3000H4L/		
K	REVISED & REDRAWN PER ECR #9443	1-12-93	M.B.	SUPERCEDES DWG. DATED: 11-11-85					
REV.	DESCRIPTION	DATE	DR.	SCALE: 4X	CAD NO: BT00050				

ORIGINAL IF RED