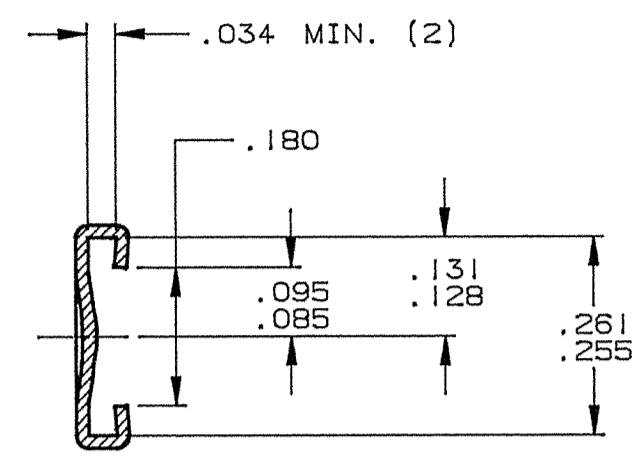


DEPT	
1	
2	
3	
4	
5	
6	
7	
8	
9	
10	
11	
12	B
NC	
JZ	

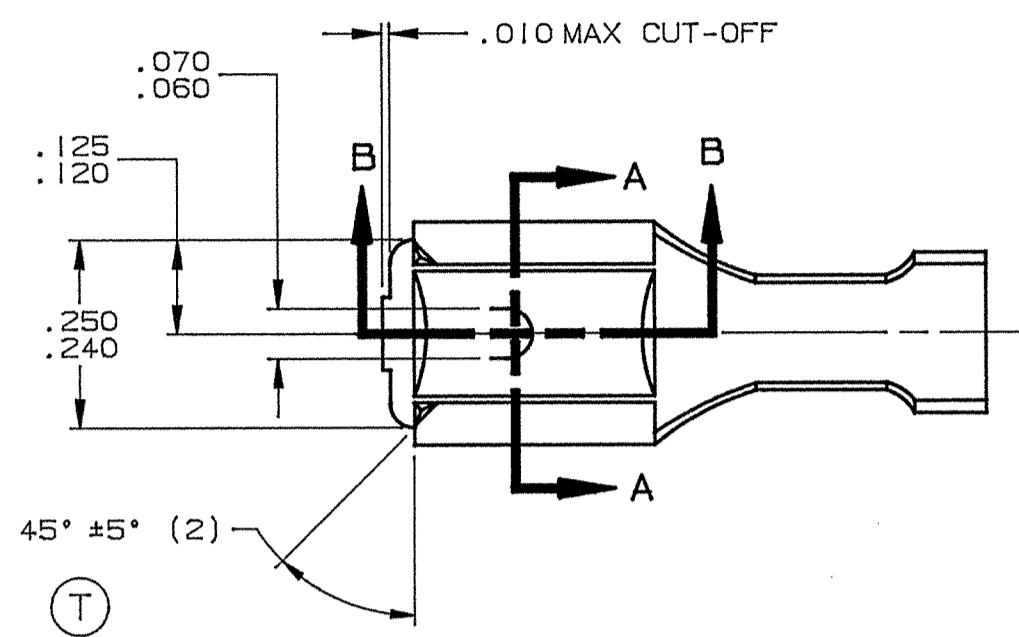
PART NAME: FEMALE TERMINAL

PART NO: 3000H63E/-5

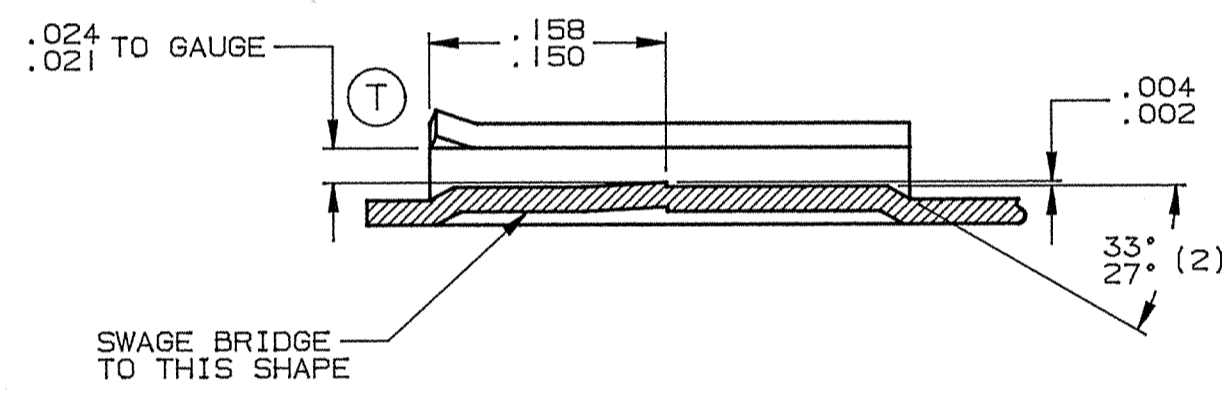
PART NUMBER	MATERIAL	FINISH
3000H63E-5	.016 ±.0005 TH'K BRASS C26000, 3/4 HARD R1ST 84.0-86.5 PRETINNED PCS 1007	SEE MAT'L
3000H63EB-5	.016 ±.0005 TH'K BRASS C26000, 3/4 HARD R1ST 84.0-86.5	NONE



SECTION A-A

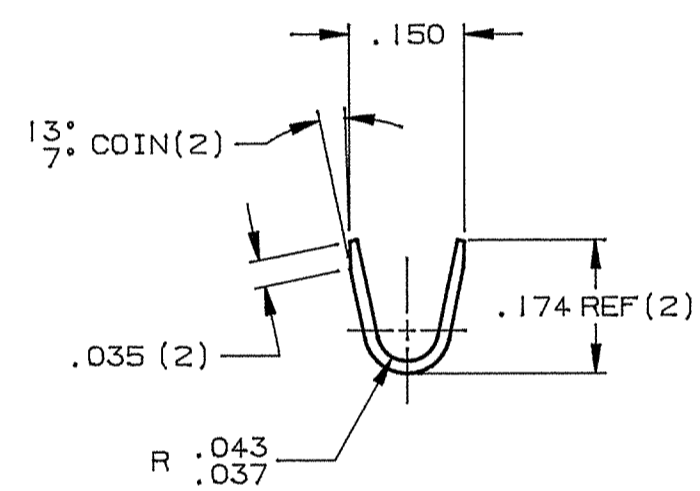
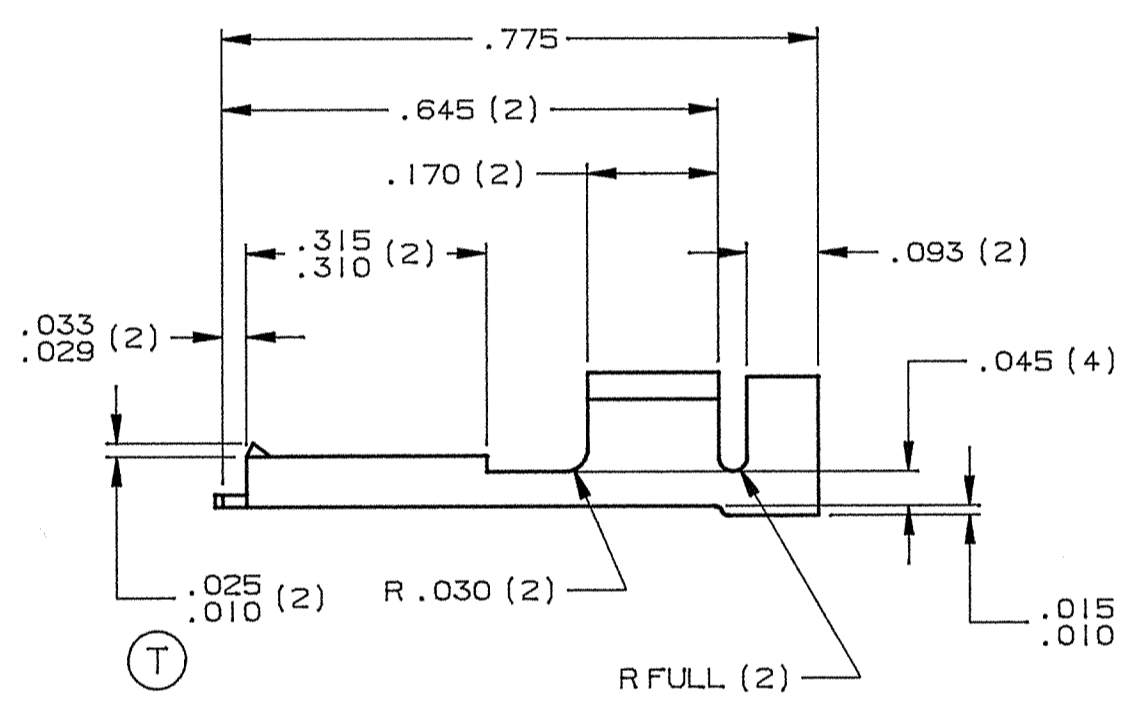


- NOTES:
1. TO ACCEPT A .250 X .032 MALE TAB.
  2. TO ACCOMMODATE #14 - #20 GAUGE WIRE.
  3. INSULATION DIAMETER RANGE: .075 - .175.
  4. RECOMMENDED STRIP LENGTH:  $7/32 \pm 1/32$ .
  5. INSERTION/WITHDRAWAL FORCES TO COMPLY WITH UL 310.
  6. WIRE GRIP FLATBLANK: .386.
  7. WIRE GRIP MAY BE UNBALANCED .010.
  8. INSULATION GRIP FLATBLANK: .440.
  9. INSULATION GRIP MAY BE UNBALANCED .020.
  10. FOR LOOSE PIECE PARTS ADD SUFFIX "-1K" TO PART NUMBER. (I.E. 3000H63E-5-1K)
  11. ALL CORNERS SHOWN SHARP MAY HAVE A .010 MAXIMUM RADIUS.
  12. FOR STANDARD REELING SEE FIGURE 1.
  13. FOR REVERSE REELING ADD SUFFIX "R" TO PART NUMBER. (I.E. 3000H63E-5R) SEE FIGURE 2.

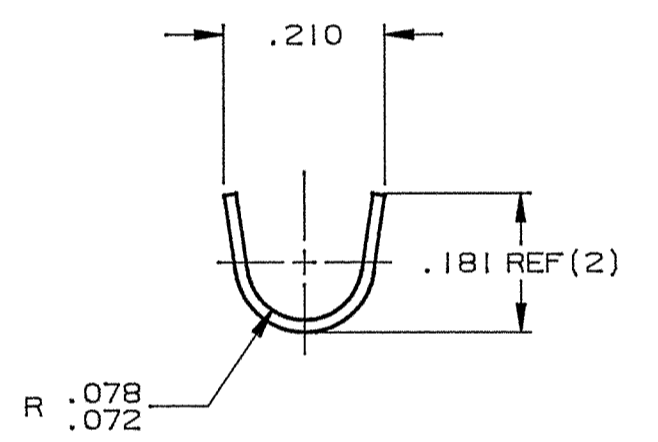


SECTION B-B

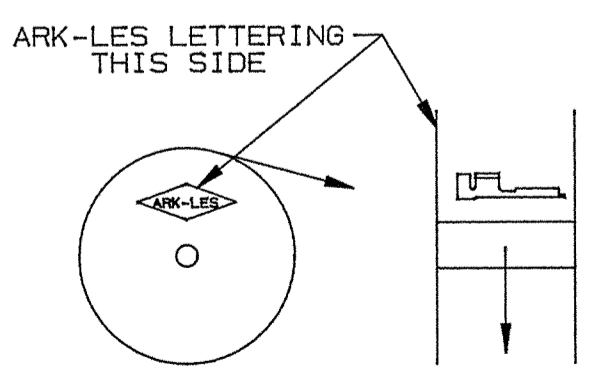
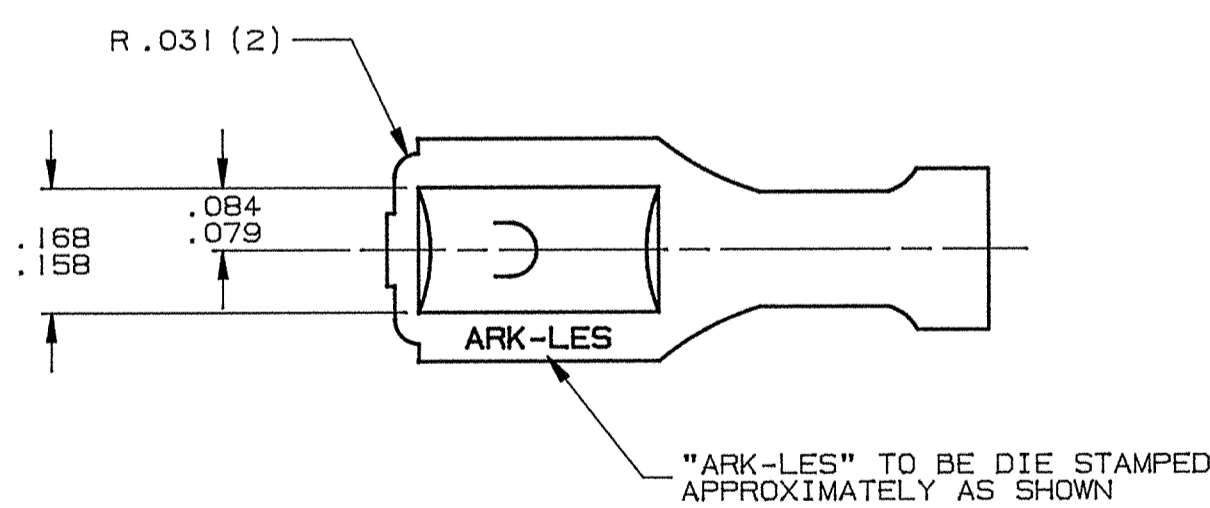
SCALE 8=1



WIRE GRIP

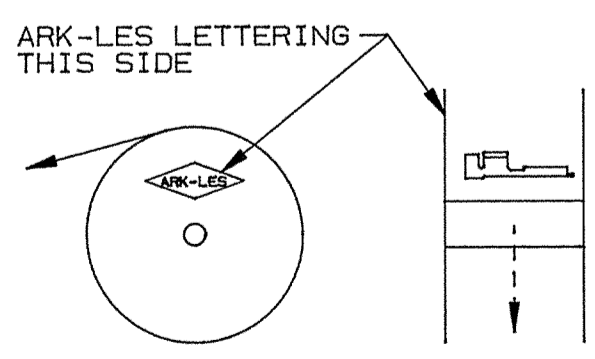


INSULATION GRIP



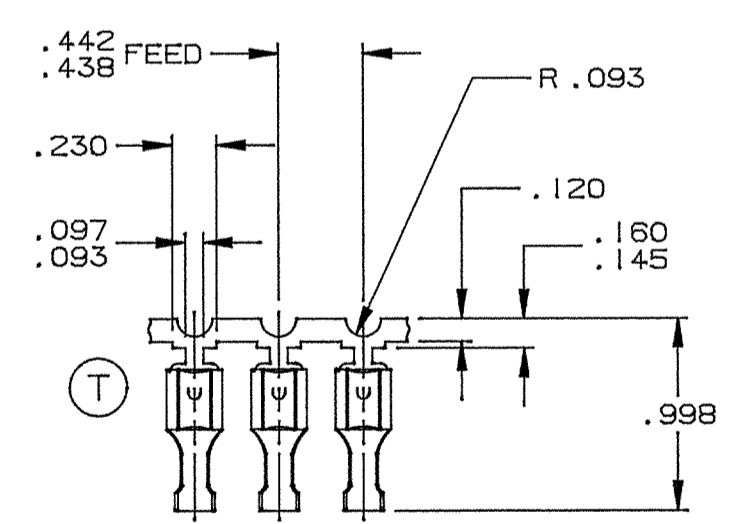
STANDARD REELING  
(I.E. 3000H63E-5)

FIGURE 1



REVERSE REELING  
(I.E. 3000H63E-5R)

FIGURE 2



FABRICATED TERMINAL STRIP

SCALE 1=1

**ARK-LES UNCONTROLLED**

REV.	DESCRIPTION	DATE	DR.	SCALE: 4=1	CAD NO: CT00061	PROD. REL.	10/14/88	RT	TOLERANCES UNLESS OTHERWISE SPECIFIED:
						QUOTE REL.			DECIMALS ±.010 METRIC ±0.25mm ANGLES ±1°
						DR: B J CARUTHERS	5/9/95		MATERIAL: SEE TABLE
						CHK'D: R.W.T.	5-26-99		FINISH: SEE TABLE
T	REVISED PER ECR #11773	5/26/99	RT			APP: COR	5/28/99		
S	REVISED & REDRAWN PER ECR #10442	5/9/95	BJC			SUPERCEDES DWG. DATED:	3/23/95		
									PART NO: 3000H63E/-5