

DEPT.	1	7
	2	
	3	
	4	7
	5	
	6	
	7	7
	8	
	9	
	10	
	11	
	12	
TOOLED		

TERMINAL - FEMALE

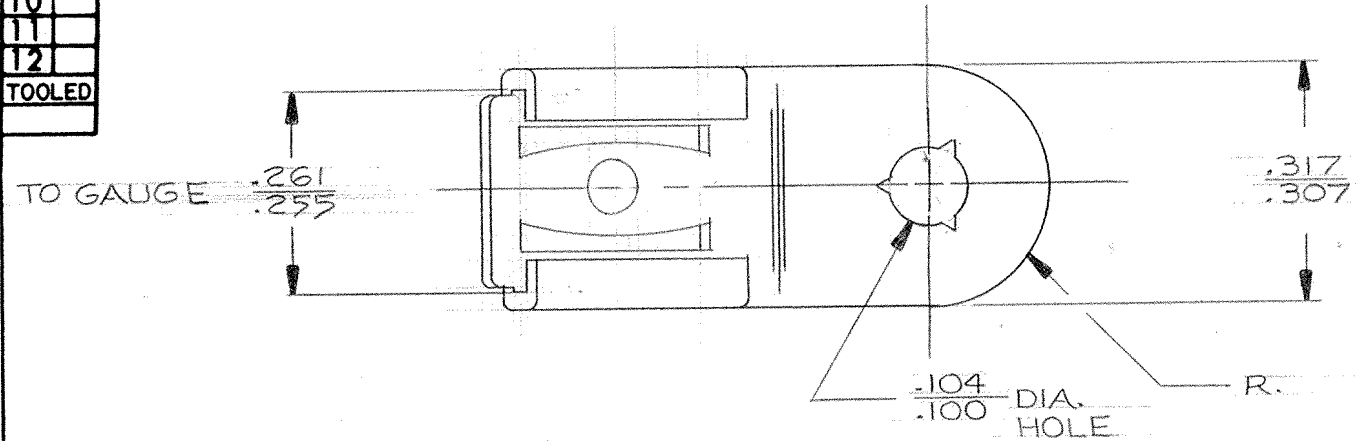
CUSTOMER PRINT

PART NO.	MATERIAL	FINISH
3000 H74	.025 THICK BRASS	ELECTRO-TIN PLATE
3000 H74LP		NONE

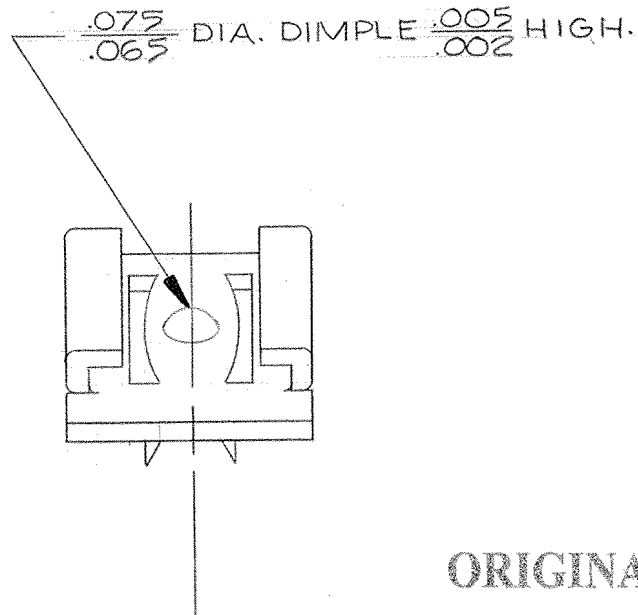
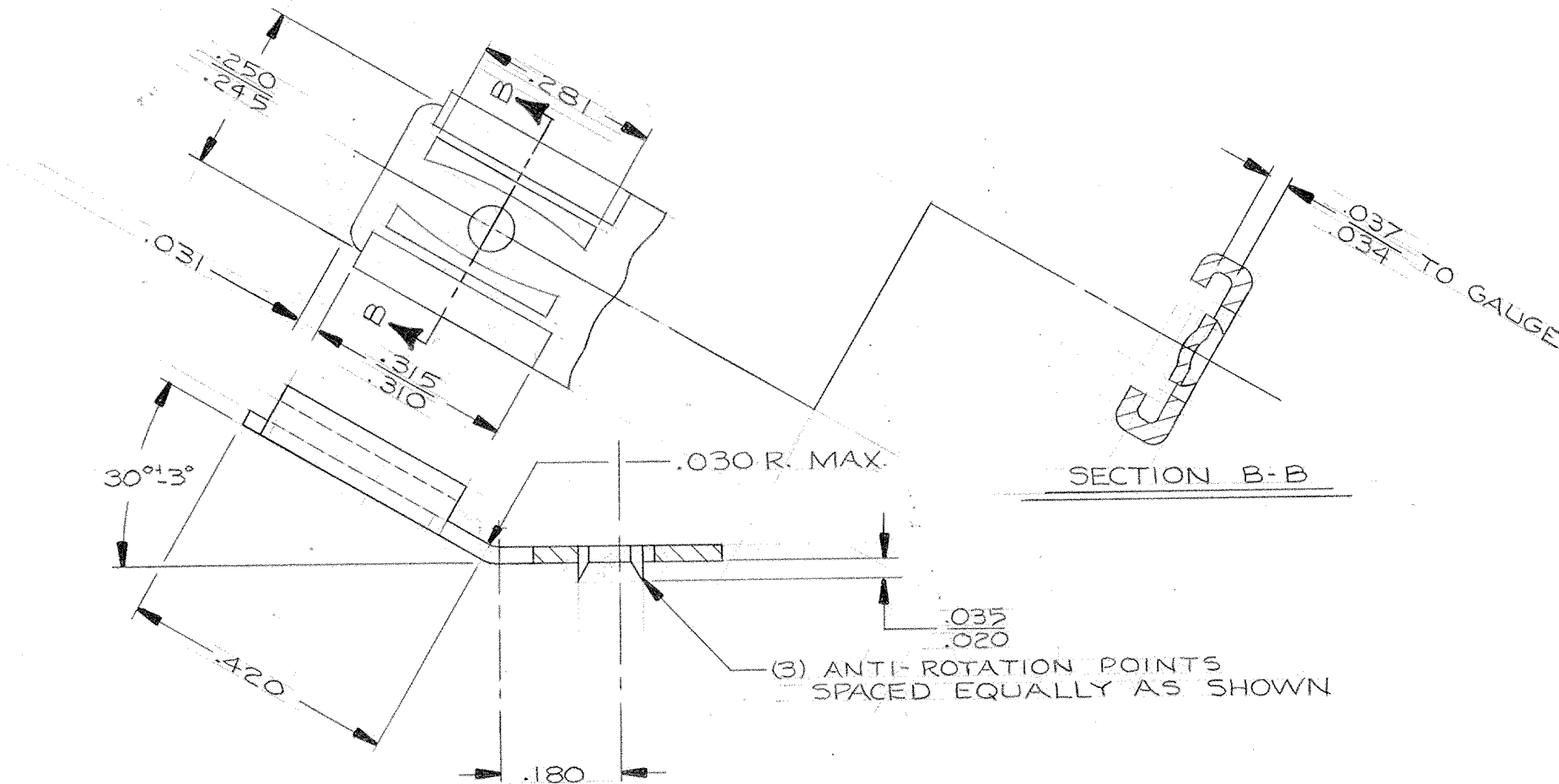
(A)

NOTE:

1) REFERENCE 3000H43C & 3000H43D-1 TOOLING.



ARK-LES
UNCONTROLLED



ORIGINAL IF RED

				F.M.F.	
				TOLERANCES UNLESS OTHERWISE SPECIFIED:	
				DECIMALS ±.010	ANGLES ±1'
				DO NOT SCALE DRAWING	
A	ADDED P/N 3000H74LP & MATERIAL TABLE	12-23-87	PJP	DRAWN BY MKS	MATERIAL SEE TABLE
A	ECR 6615			CHECKED BY	
REVISIONS		DATE	APP.	APPROVED BY Bishop	FINISH SEE TABLE
DATE OF DRAWING 12-2-75			SCALE 4 TO 1		DATE OF PRINT